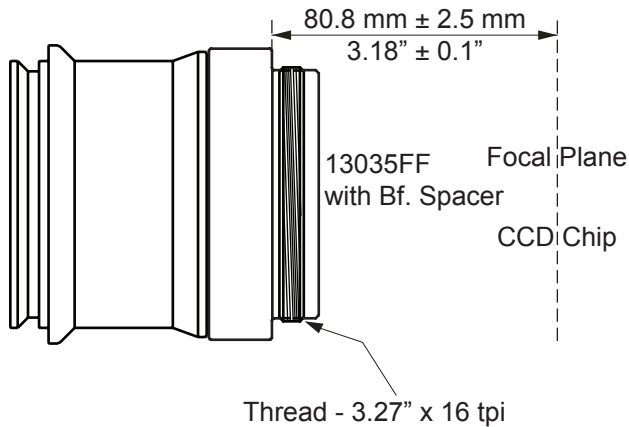


Astro-Physics 130 GTX Field Flattener Spacing Requirements

13035FF - f/6.7 for 130 f/6.3 StarFire GTX

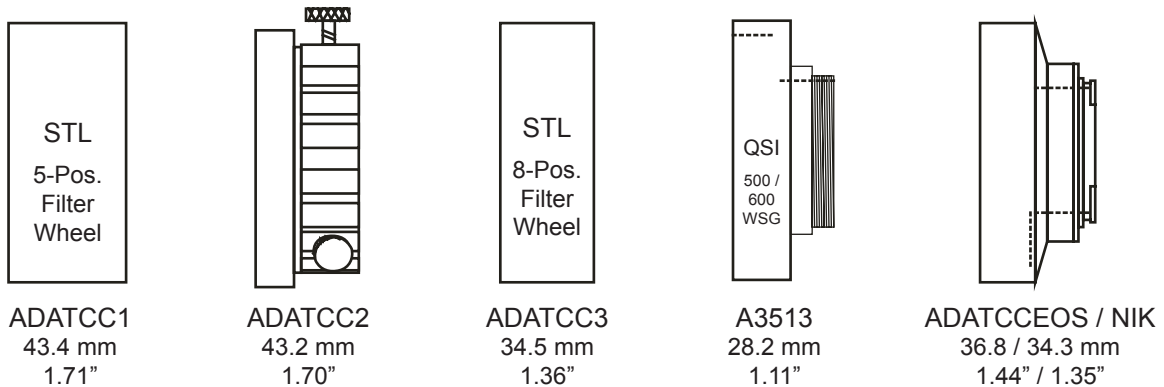
You will note that your Field Flattener includes a Backfocus Spacer extension on the back to provide the perfect spacing for our line of TCC Adapters. Please review the information below to determine whether the extension should be used in your application or not.



Remember: the distance must be the **OPTICAL** distance - **NOT** the mechanical distance. Please be sure that you have accounted for the indexing effects of your filters, sensor window and any other glass in the light path.

Rule of Thumb: Add 1/3 of the total glass thickness to the mechanical distance. This will lengthen the adapter.

Amount of spacing consumed by Astro-Physics adapters



Spacing from the rear flange (not threads) of the 13035FF with Backfocus Spacers removed. For imaging trains that require more than the 80.8 mm backfocus spacing, the Backfocus Spacer can be removed to provide additional room for such items as off-axis guiders. The allowable spacing without the Backfocus Spacer is shown below. Please note that the ADATCC2 can also be used in some configurations with the Backfocus Spacer removed as long as the proper overall spacing is maintained.

Warning: Take extra care of rear optic when Backfocus Spacer is removed!

