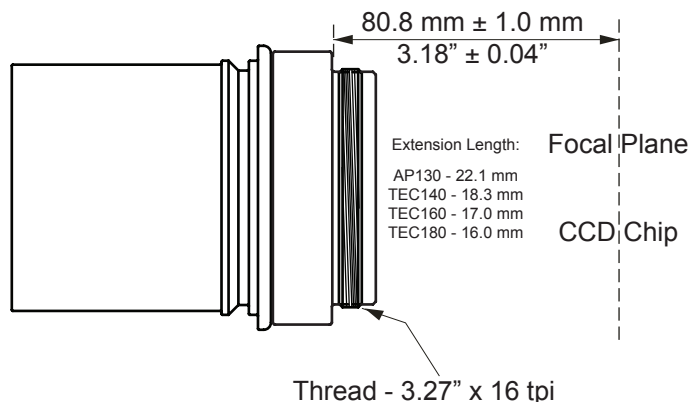


# Astro-Physics 0.72x Quad Telecompressor Corrector Spacing Requirements

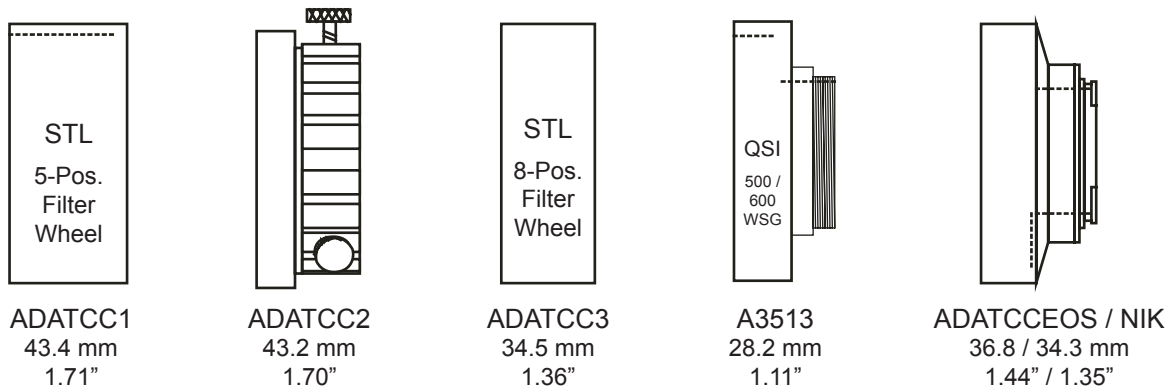
QUADTCC-AP130 f/4.5 for 130 f/6.3 StarFire GTX  
 QUADTCC-TEC140 f/5 for TEC140 f/7  
 QUADTCC-TEC160 f/5 for TEC160 f/7  
 QUADTCC-TEC180 f/5 for TEC180 f/7



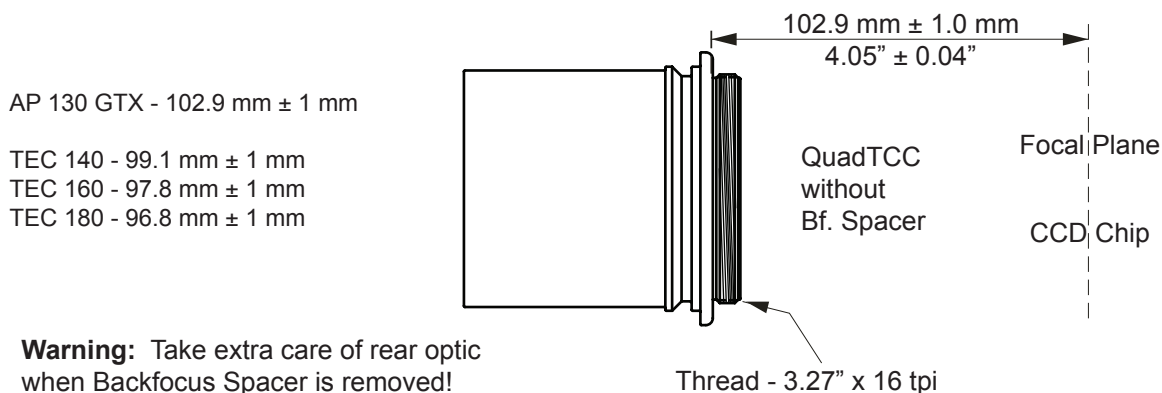
**Remember:** the distance must be the **OPTICAL** distance - **NOT** the mechanical distance. Please be sure that you have accounted for the indexing effects of your filters, sensor window and any other glass in the light path.

**Rule of Thumb:** Add 1/3 of the total glass thickness to the mechanical distance. This will lengthen the adapter.

## Amount of spacing consumed by Astro-Physics adapters



**Spacing from the rear flange (not threads) of the 175FF and 160FF with Backfocus Spacers removed.** For imaging trains that require more than the 80.8 mm backfocus spacing, the Backfocus Spacer can be removed to provide additional room for such items as off-axis guiders. The allowable spacing without the Backfocus Spacer is shown below. The drawing references the AP 130 GTX distance. The equivalent TEC scope distances are listed below.



**Warning:** Take extra care of rear optic when Backfocus Spacer is removed!