

Astro-Physics 175 & 160 Field Flattener Spacing Requirements

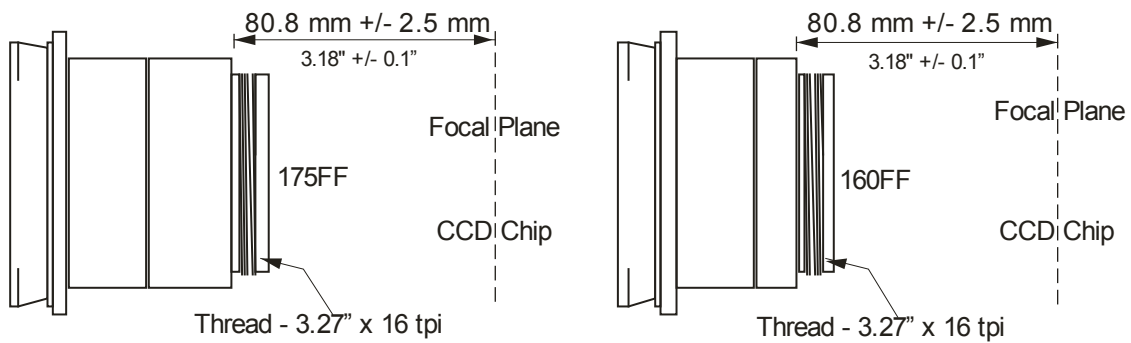
175FF - f/8.3 for 175 f/8 StarFire EDF

160FF - f/7.7 for 160 f/7.5 StarFire EDF

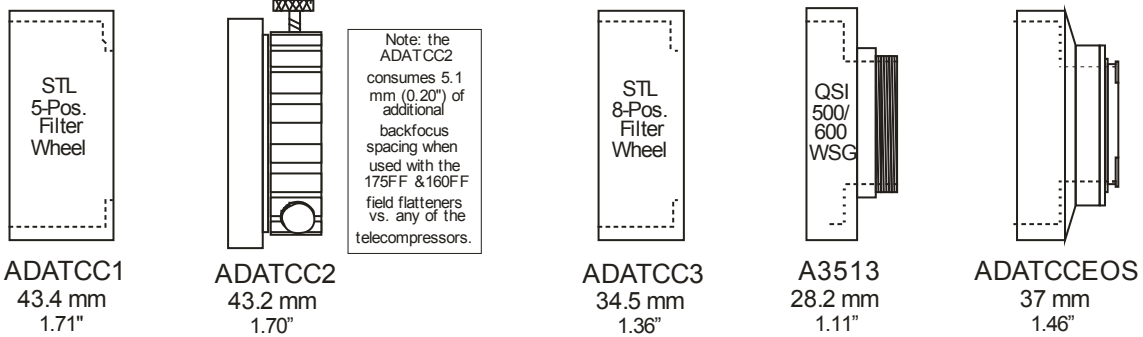
You will note that your Field Flattener includes an extension piece on the back to provide the perfect spacing for our line of TCC adapters. Please review the information below to determine whether the extension should be used in your application or not. Remember: the distance must be the **OPTICAL** distance - **NOT** the mechanical distance. Please be sure you have accounted for the indexing effects of your filters, sensor window, sensor cover slip, and any other glass in the light path. [Rule of thumb: add 1/3 of the total glass thickness to the mechanical distance.]

Spacing from rear surface of 175FF and 160FF with extensions in place:

If using one of our adapters, you must also use the extension piece that was provided. All of our adapters are designed to provide the 80.8 mm spacing required by BOTH these field flatteners and also the telecompressor correctors that we produce for these scopes. Do NOT remove the extension if using one of the Astro-Physics adapters below.



Amount of spacing consumed by Astro-Physics adapters



Spacing from rear surface of 175FF and 160FF when extensions removed:

For imaging trains that require more than the 80.8 mm standard backfocus spacing, the extensions can be removed to provide additional room for such items as off-axis guiders. The allowable spacing without the extensions is shown below. Please note that the ADATCC2 can also be used in some configurations with the extensions removed as long as the proper overall spacing is maintained.

